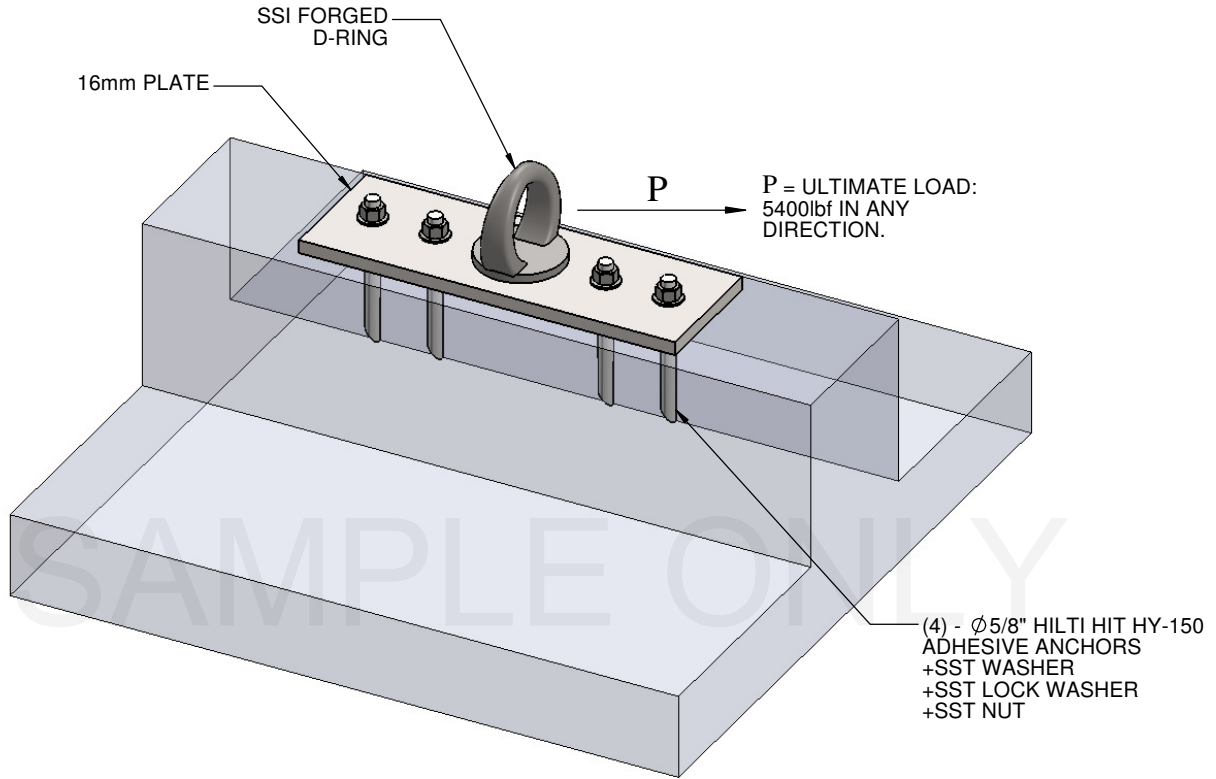




Safeguard




SSI RIGID CURB ANCHOR

GENERAL NOTES:

- ANCHORING SYSTEM IS DESIGNED TO RESIST A FORCE, APPLIED IN ANY DIRECTION OF:
 - 24kN (5400lbf) WITHOUT FRACTURE AND/OR PULLOUT.
 - 11.1kN (2500lbf) WITHOUT ANY DEFORMATION OF ANY COMPONENT OF THE SYSTEM, IF SUBJECTED TO TEST LOADING AFTER INSTALLATION.
- ALL EXTERIOR STEEL IS HOT DIP GALVANIZED.

RELEVANT CODES:

- CAN/CSA-Z91-02 HEALTH AND SAFETY CODE FOR SUSPENDED EQUIPMENT OPERATIONS
- CAN/CSA-Z271-98 SAFETY CODE FOR SUSPENDED ELEVATING PLATFORMS
- CAN/CSA-Z259-M1979 FALL-ARRESTING DEVICES, PERSONNEL LOWERING DEVICES, AND LIFE LINES

| | | | | | | | |
|--|-------------|----------|----------------------|-----------|-------------------|--------------|--|
| PROPRIETARY AND CONFIDENTIAL THE INFORMATION CONTAINED IN THIS DRAWING IS THE SOLE PROPERTY OF SAFEGUARD SAFETY INC. ANY REPRODUCTION IN PART OR AS A WHOLE WITHOUT THE WRITTEN PERMISSION OF SAFEGUARD SAFETY INC. IS PROHIBITED. | | | | | NAME | DATE |  Safeguard Industries 4515 - 112th Ave SE Calgary AB T2C 5C5 eMail: info@safeguard-industries.com Toll Free: 1-800-936-0752 www.safeguard-industries.com |
| | | | | | DRAWN | GS JUL 18.12 | |
| | | | | | CHECKED | | |
| | | | | | ENG APPR. | | |
| | | | | | MFG APPR. | | |
| | | MATERIAL | | Q.A. | | | |
| | NEXT ASSY | USED ON | FINISH | COMMENTS: | | | |
| | APPLICATION | | DO NOT SCALE DRAWING | | | | |
| | | | | SIZE | DWG. NO. | REV. | |
| | | | | A | SSI-CA-001 | | |
| | | | | NTS | WEIGHT: | SHEET 1 OF 1 | |