



Fall Protection

Support from below for protection up top.

3M™ DBI-SALA® Flexiguard™ C-Frame

The C-Frame System is a mobile and versatile solution designed to be positioned manually, or with the use of a tow bar (optional) and service vehicle. The freestanding design utilizes protruding outriggers that extend below the work surface for stability. Available in adjustable height and fixed height models for a wide variety of applications.



Watch Video

Features:

- ▶ Designed to be moved manually or with a tow bar and service vehicle.
- ▶ Retractable models must have AAF (average arresting force) of 900 lbs. (4kN) and user weights of 310 lbs. (141 kg) or less.
- ▶ Designed to be positioned under equipment with minimal ground clearances.
- ▶ Adjustable systems allow rail height to be adjusted by manually cranking the winch—allowing for passage under obstructions and building doorways.
- ▶ Standard systems include one rail with two trolleys and heavy-duty leveling jacks.
- ▶ Rear has 16" foam filled, front is 8" urethane swiveling and locking wheel assemblies - check approval drawings.

Target Applications:



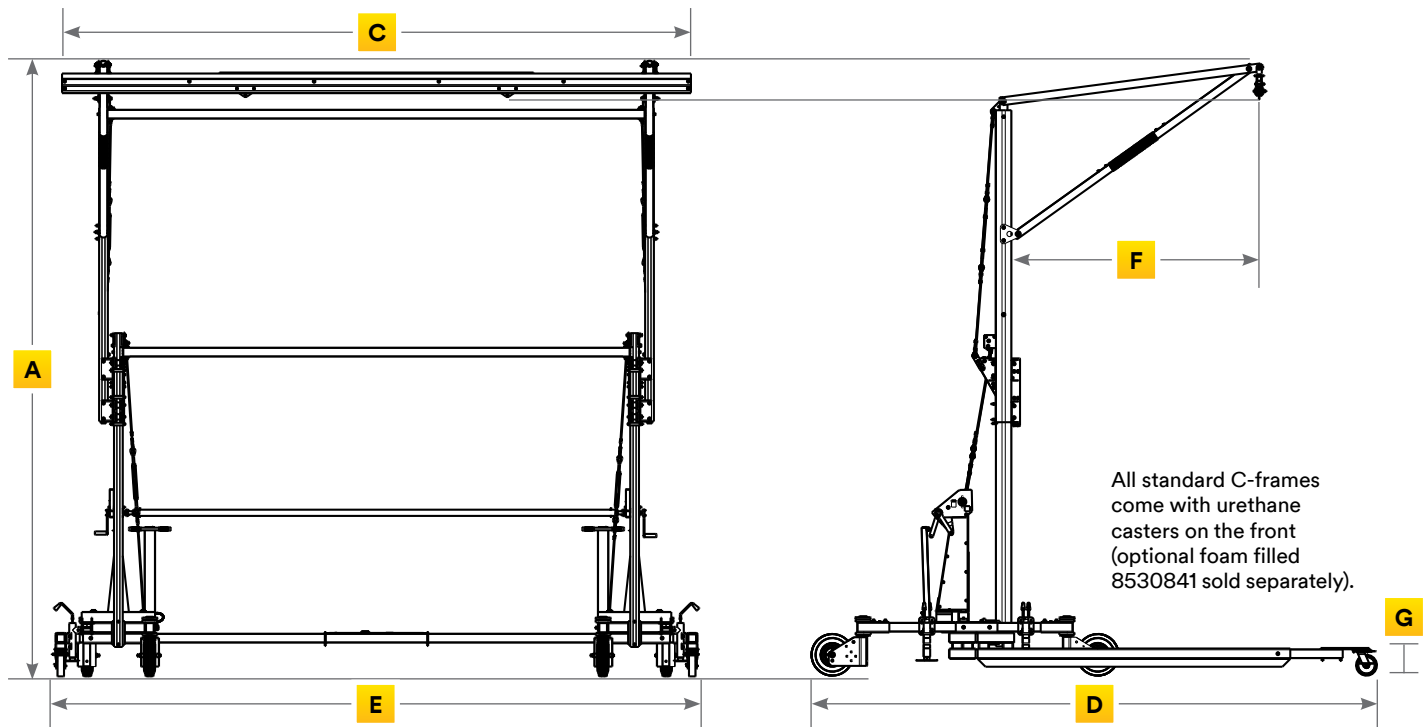
Transportation

- ▶ Buses/flatbed trailers
- ▶ Heavy equipment



Defense

- ▶ Planes
- ▶ Helicopters



Accessories



8518243
Tow bar with pintle hitch attachment.



8526761
Tow bar storage pocket.



8530841
16 in. foam filled front wheels.



9502782
Grounding reel kit.



8543456
16 in. foam filled pneumatic front swivel wheel with 90 degree lock. These wheels allow for greater mobility in tight spaces for most terrains. (Must order two per system.)

2-User Rated Fixed Height Models								
SKU	Weight (lbs.)	"A" Overall Height	"B" Anchor Height	"C" Trolley Rail Width	"D" Base Length	"E" Base Width	"F" Offset	"G" Outrigger Height
8530842	1,450	22' 0"	20' 0"	15' 0"	18' 4"	16' 11"	7' 11"	11"
8530843	1,500	27' 0"	25' 0"	15' 0"	18' 4"	16' 11"	7' 11"	11"
8530844	1,600	22' 0"	20' 0"	20' 0"	18' 4"	21' 11"	7' 11"	11"
8530845	1,650	27' 0"	25' 0"	20' 0"	18' 4"	21' 11"	7' 11"	11"

2-User Rated Adjustable Height Models								
SKU	Weight (lbs.)	"A" Overall Height	"B" Anchor Height	"C" Trolley Rail Width	"D" Base Length	"E" Base Width	"F" Offset	"G" Outrigger Height
8517701	1,650	13' 3" to 19' 7"	12' 4" to 18' 8"	10' 0"	18' 4"	10' 11"	7' 11"	11"
8517703	1,970	13' 3" to 19' 7"	12' 2" to 18' 5"	15' 0"	18' 4"	15' 10"	7' 11"	11"
8517705	2,100	13' 3" to 19' 7"	12' 2" to 18' 5"	20' 0"	18' 4"	20' 10"	7' 11"	11"
8517707	2,105	18' 2" to 29' 8"	17' 2" to 28' 7"	15' 0"	18' 4"	15' 10"	7' 11"	11"
8517709	2,236	18' 2" to 29' 8"	17' 2" to 28' 7"	20' 0"	18' 4"	20' 10"	7' 11"	11"
8517711	2,240	23' 4" to 99' 8"	22' 2" to 38' 6"	15' 0"	18' 4"	15' 10"	7' 11"	11"
8517713	2,370	23' 4" to 99' 8"	22' 2" to 38' 6"	20' 0"	18' 4"	20' 0"	7' 11"	11"



3M Fall Protection
3833 SALA Way
Red Wing, MN 55066 USA

Phone 800.328.6146
Email 3mfallprotection@mmm.com
Web 3M.com/FallProtection

3M.com/FallProtection

3M, DBI-SALA and Flexiguard are trademarks of 3M.
Please recycle. Printed in USA.
© 3M 2020. All rights reserved. 70-0717-6961-2