



Fall Protection

Engineered anchor points for unique work environments.

3M™ DBI-SALA® Flexiguard™ Box Frame

The Box Frame System is a mobile and versatile solution designed to be positioned manually. The freestanding design straddles the work surface, allowing the fall protection rails to run parallel with the work surface. This provides superior fall protection coverage. Available in adjustable height and fixed height models, this two-user solution can be utilized for a wide variety of applications.



Fixed Height Features:

- ▶ Provides an effective, economical overhead anchor point in areas with no overhead obstructions or door height restrictions.
- ▶ Available as a permanent frame or portable for easy relocation.

Adjustable Height Features:

- ▶ Adjustable using an overhead crane, forklift or powered system.
- ▶ Combines effective overhead anchorages with mobility in areas with overhead obstructions or door height restrictions.
- ▶ Integrated pin-height selection system.

Target Applications:



Defense



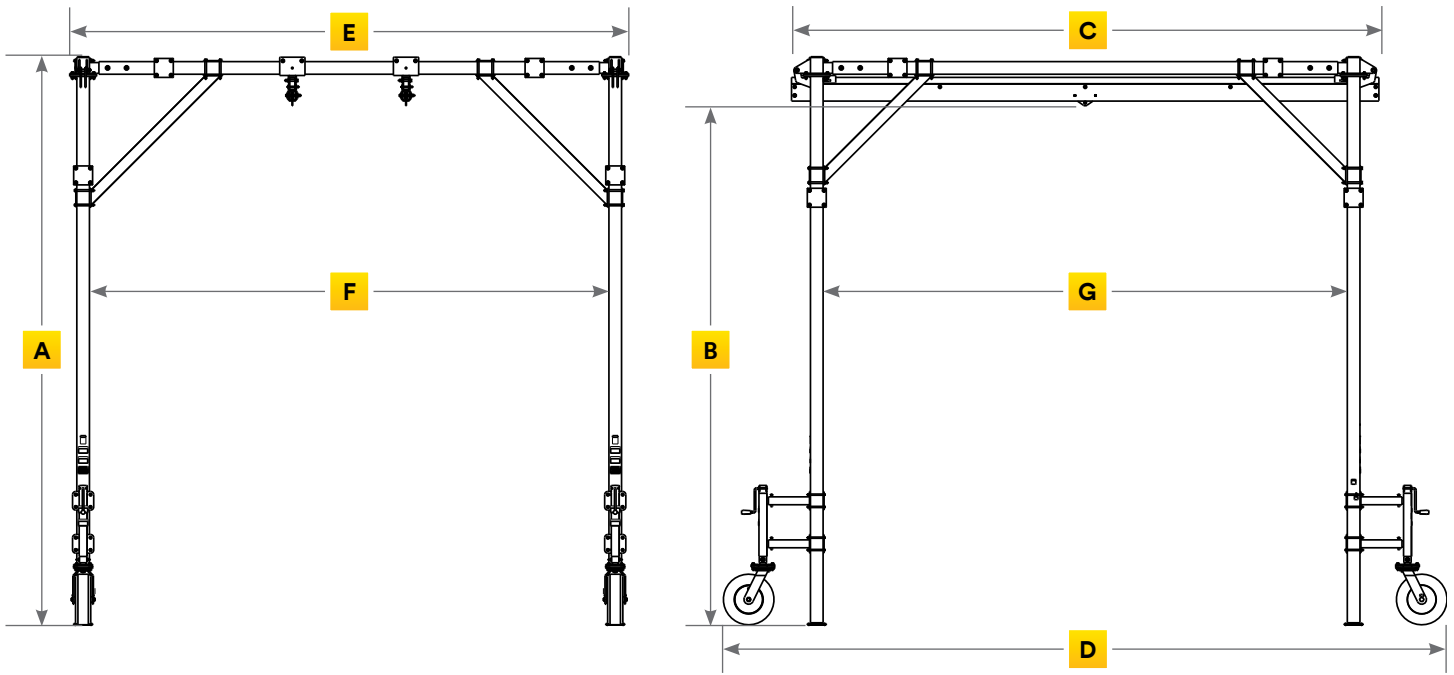
Mining



General industry



Transportation



2-User Rated Fixed Height Models

SKU	Weight (lbs.)	Wheel Type	"A" Overall Height	"B" Anchor Height	"C" Trolley Rail Width	"D" Overall Length	"E" Overall Width	"F" Inside Width	"G" Inside Length
8530345	1,300	16" pneumatic	15'	13' 9"	Dual rail - 15' 6"	19' 2"	14' 8"	13' 8"	13' 10"
8530361	1,500	12" rubber	22' 4"	21'	Single rail - 28'	23' 5"	15' 10"	15'	19' 4"
8530427	4,370	16" pneumatic	31' 11"	29' 7"	Dual rail - 32'	23' 8"	25' 1"	19' 9"	22' 8"

2-User Rated Adjustable Height Model

SKU	Weight (lbs.)	Wheel Type	"A" Overall Height	"B" Anchor Height	"C" Trolley Rail Width	"D" Overall Length	"E" Overall Width	"F" Inside Width	"G" Inside Length
8530288	1,370	12" rubber	13' 4" to 19' 4"	12' to 18'	Single rail - 28'	23' 4"	12' 11"	12'	19' 4"



3M Fall Protection
 3833 SALA Way
 Red Wing, MN 55066 USA

Phone 800.328.6146
 Email 3mfallprotection@mmm.com
 Web 3M.com/FallProtection

3M.com/FallProtection

3M, DBI-SALA and Flexiguard are trademarks of 3M.
 Please recycle. Printed in USA.
 © 3M 2020. All rights reserved. 70-0717-3964-6